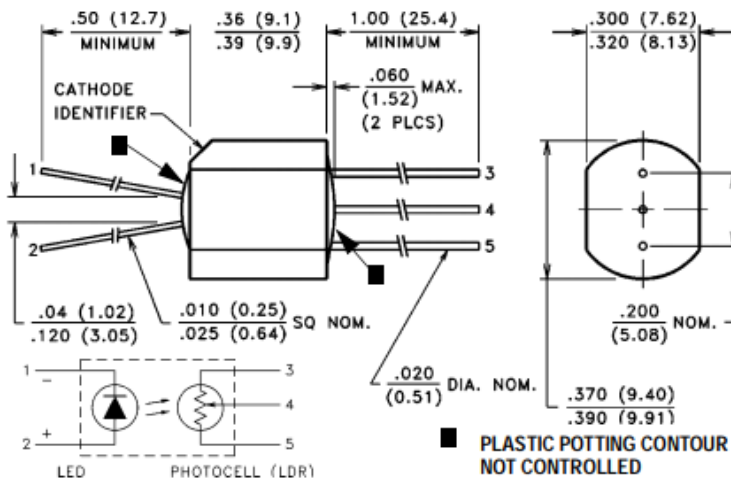


Dimensional Outline and Pin Connection inch(mm)



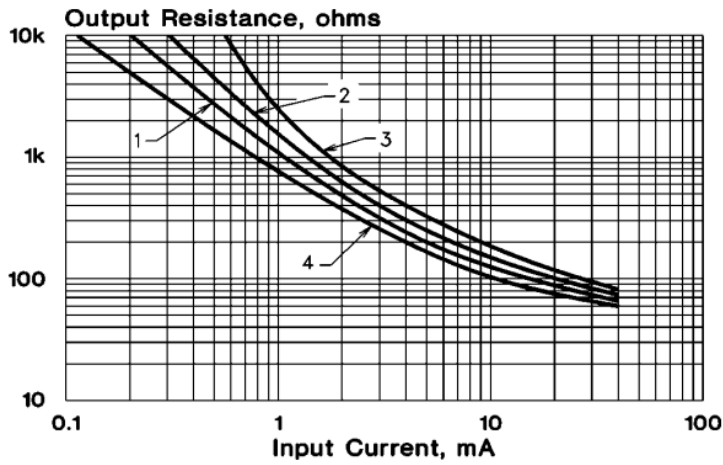
- Features: Compact moisture resistant package
- Lowest "on" resistance
- Low distortion
- Ideal for Hi-Fi stereo applications
- Storage Temperature: -30 to +80°C
- Operating Temperature: -30 to +80°C
- Soldering Temperature: 260°C <10s
- Isolation Voltage(peak): 2000V

Output Resistance vs. Forward Current

Symbol	Parameter	Min	Typ	Max	Units	Test Conditions
LED						
IF	Forward Current			40	mA	(Derate Linearly to 0 at 75°C)
VF	Forward Voltage			2.0	V	IF = 16 mA
IR	Reverse Current			100	µA	VR=3.8V
Cell						
Vc	Maximum Cell Voltage			60	V	(Peak AC or DC)
PD	Power Dissipation			50	mW	(Derate Linearly to 0 at 75°C)
Coupled						
RON	On Resistance					
			1.3		KΩ	IF = 0.5 mA**
			300		Ω	IF = 5 mA**
ROFF	Off Resistance		400		KΩ	10sec after I=0.3Vdc on cell
TR	Rise Time		6.0		msec	Time to 63% of final conductance @ IF = 16 mA ***
TF	Decay Time		1.5		sec	Time to 1MΩ after removal of input @ IF = 16 mA
	Cell Temp Coefficient		1.0		%°C	IF >5 mA

* 2mm from case for < 5 sec
 ** measured after a dark history of 1 week
 *** Rise time is the time for the dark change in conductance to reach 63% of its final value

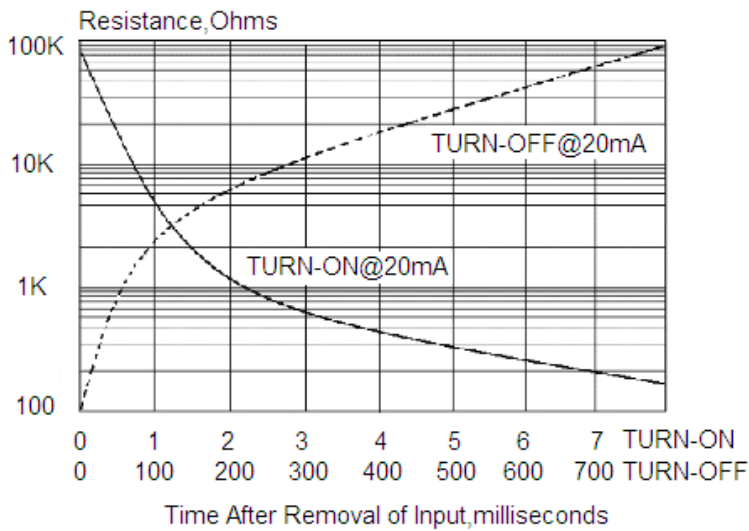
Output Resistance vs. Forward Current



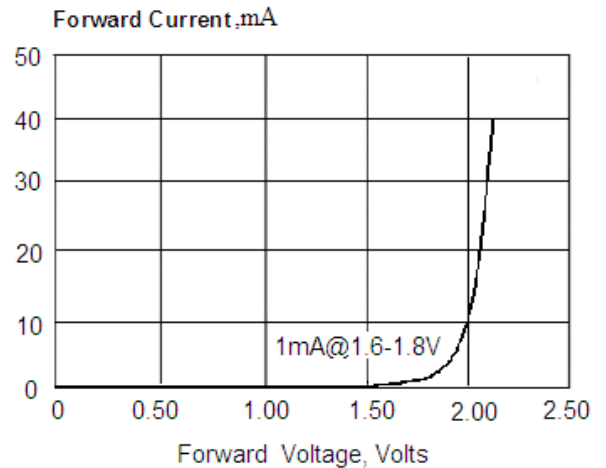
Output resistance vs input current transfer curves are given for the following light adapt conditions:

- (1) 25°C — 24 hours @ no input
- (2) 25°C — 24 hours @ 40 mA input
- (3) +50°C — 24 hours @ 40 mA input
- (4) -20°C — 24 hours @ 40 mA input

Rise/Fall Time vs. Load Resistance



LED Forward Current vs. Forward Voltage



规格书各项参数仅供使用参考
用户标准以样品为准